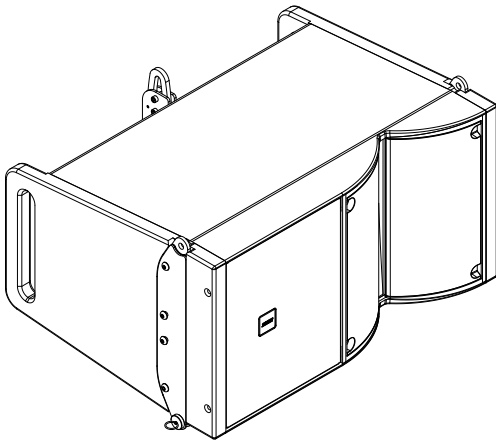


AX12

Active Single 12" Vertical Line Array Loudspeaker

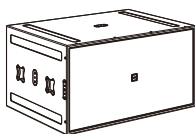


- _SPL max > 139dB([STD]preset)
- _H=110°/70° symmetric or 90° asymmetric
- _Class D amplifier module with 96~265V universal voltage
- _Built-in processor to deliver impressive sound
- _Minimum 2, maximum 16 units line array

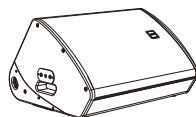
Features

- AX12 is a active full range vertical line-array loudspeaker which is composed of 1x12" low and 1x3"compression Hi driver.
- It has "easy-to-use" professional installation design, with excellent phase and frequency response which make you have impressive experience even in far field. Module designed with HF horn of H110°/70° symmetric or 90° asymmetric x V10° frequency coverage angle, independent external active amplifier module with maximum output up to 139dB with single module. Each independent channel of power amplifier drives it's own speaker, because of use independent power module it can achieve consistent group delay. Built-in DSP processor for easy use.
- Premium grade birch plywood cabinet with CNC manufacturing process. Patented auto-locking mechanism allows wide selection of angles while components are on the ground. Almost four times the installation efficiency of the similar products. one guy can complete the system installation.
- AX12 will have good performance with extended subwoofer reinforced with BX28.

Recommended models for AX12



Active Subwoofer
BX28



Active Stage Monitor
M15A

AX12

Specifications

Acoustics	AX12
Frequency response	50~18kHz
Sensitivity	32dB
Short term max SPL	> 139dB([STD]preset)*
Horizontal	110°/70° symmetric or 90° asymmetric
LF driver	1x12" Neodymium driver (V.C:3" 8Ω)
HF driver	1x Neodymium compression driver (V.C:3"; Throat:1.4"; 16Ω)

Power module

Electric Power	96~265V AC 50~60 Hz
Amplifier	2x600W(RMS)@8Ω CLASS D

Processor

Processor	24Bit /96k DSP
DSP control	TCP/IP(Windows)(Select the preset touch surface on the touch panel)

Connect/Cabinet

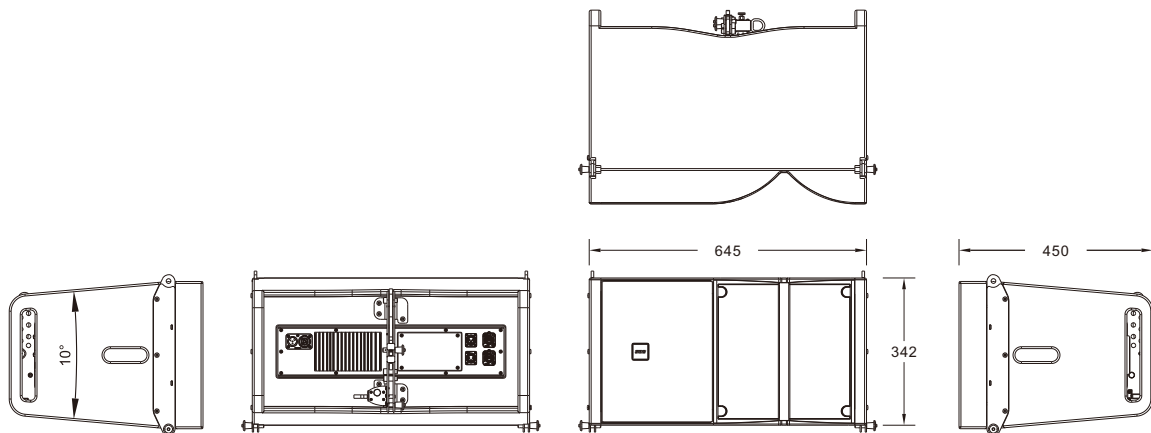
Connectors	2x PowerCon TRUE1(Power); 2x XLR parallel(Audio)
Cabinet	Premium grade birch plywood made by CNC ; Front : steel grill with coating acoustically neutral 3D fabric; Finish : black polyurea spot spray
Rigging	3-point rigging system: Ground preset curvature; Inter-enclosure angles: 0.25°, 1°, 2°, 3°, 4°, 5°, 7.5° or 10°

Size / Weight

Product dimension(mm)	W645xH342xD450
Net weight	33kg

Remark :

- * Peak level at 1 m under half space.
- The above packing dimensions, net weight, and gross weight are for reference only. The accurate values are subject to the identification on the batch of products.
- All specifications are subject to change without notice.



SAE Audio INC.
416 Wild Ave San Francisco CA U.S.A

SAE reserves the right to make any changes to the product specifications without prior notice.
Final specifications to be found in the user manual.