

# 7000 series

Class I™ Toroidal Power Amplifier

**SAE**  
www.saeaudio.com  
Download and share.



The 7000 series is the most impressive SAE Audio power amplifier line within the mid-range level and affordability. Featuring a premium toroidal transformer power supply along with SAE Audio patented Class I™ power modules, the 7000 series of amplifiers provide a flat frequency response with a sweet sounding characteristic. The 7000 amplifiers are the best solution for any small and mid sized sound reinforcement installation requiring the best sounding performance.

## Technology

### Class I™

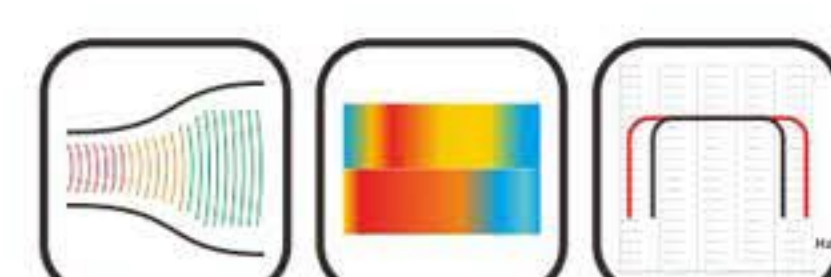
SAE Audio patented Class I™ is the most advanced technology on high power audio amplification. The output signal amplified through a Class I™ power module accurately tracks the input signal waveform, achieving a much greater efficiency and sonic quality than on other standard amplifier classes. Class I™ amplification is capable to deliver extremely high power density with an unprecedented audio fidelity.

### Internal HPF/LPF

Further speaker protection and quality sound performance can be achieved enabling the 7000 series internal crossover functionality. The 30Hz HPF (High Pass Filter) function located on the amplifier back panel will protect the full-range speakers of being damaged by an excessive level of low frequency signal component, and the 150Hz LPF (Low Pass Filter) function allows the amplifier unit to drive subwoofer speakers on a bi-amplified sound reinforcement system.

### LCD Display

The 7000 series LCD status display provides real-time useful amplifier operation information like routing mode (stereo, bridge or parallel), input gain level, device temperature, or protection alerts.



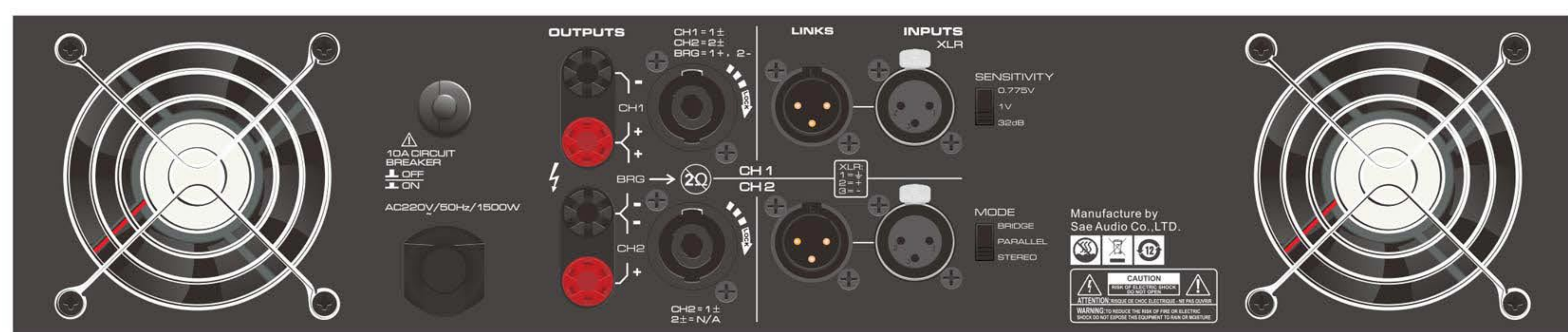
## Features

- Premium toroidal transformer power supply.
- High efficiency Class I™ power modules.
- XLR input and signal link connectors.
- SpeakON NL4 and binding post output connectors.
- Routing mode selector on the back panel (stereo / bridge-parallel).
- Input sensitivity selector on the back panel (32dB / 1v / 0.775v).
- Mains circuit breaker on the back panel.
- Channel independent protection and clip warning indicators on the front panel.
- Channel independent power and signal presence indicators on the front panel.

- Bridge and Parallel routing mode indicators on the front panel.
- Sleek and stylish front panel design.
- Very flat frequency response and sweet sounding characteristics.

## Applications

- High-end small-to-mid sized bar/café/lounge installation.
- Basic bi-amplified sound reinforcement system applications.

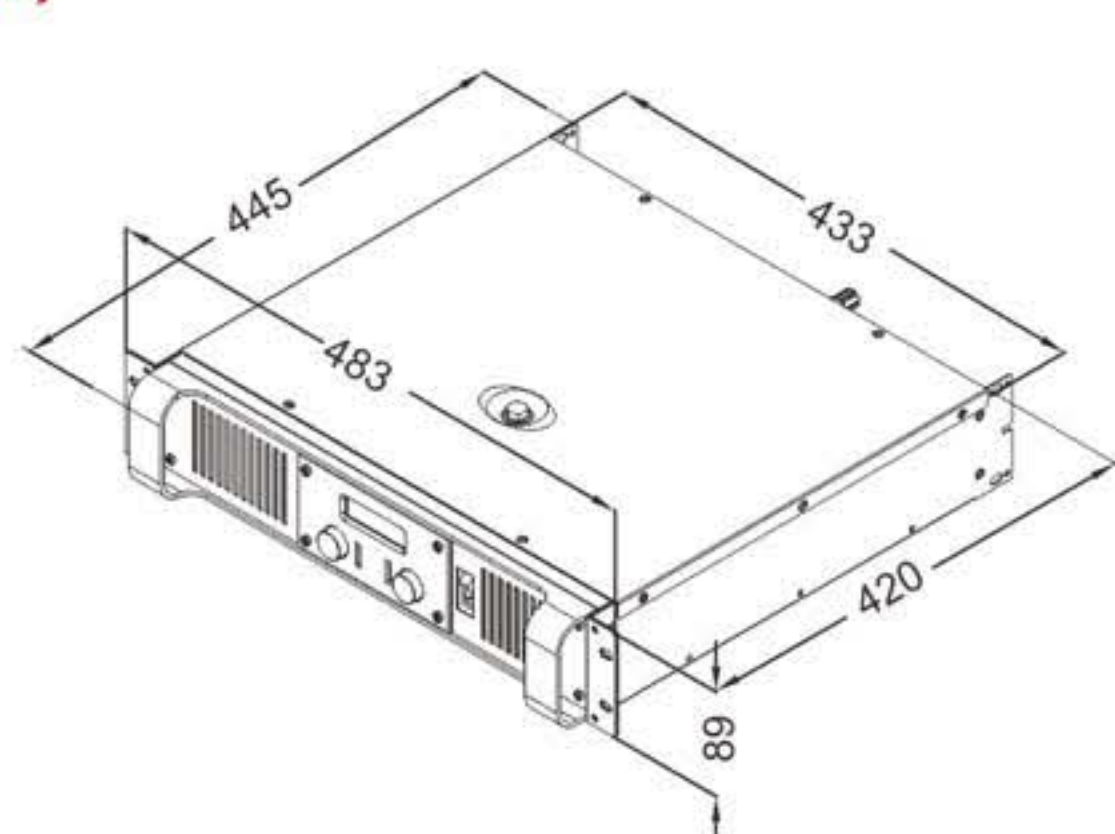


7208 rear panel

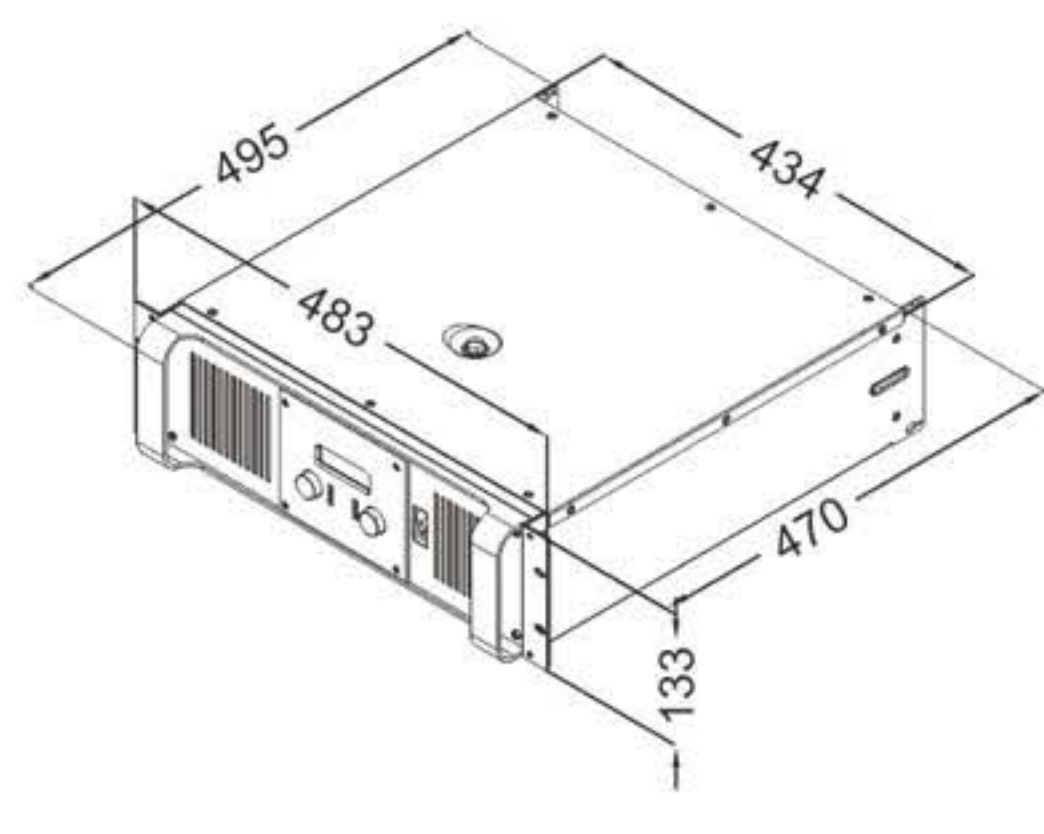
## Specifications

Model	7208	7215
<b>Output power</b> (AC 220V / 50Hz. ±10%, All channels driven output power, THD=1%)		
8Ω Stereo*	850W x2	1500W x2
4Ω Stereo**	1500W x2	2500W x2
2Ω Stereo**	2000W x2	3300W x2
8Ω Bridge**	3000W	5000W
4Ω Bridge**	3500W	6000W
<b>Other specification</b>		
Frequency response	20Hz - 20kHz (+0/-0.5dB)	20Hz - 20kHz (+0/-1dB)
THD+N	< 0.02%	< 0.05%
S/N rate	≥ 85dB	≥ 85dB
Input sensitivity	0.775v / 1v / 32dB	
Input impedance (bal/unbal)	20kΩ / 10kΩ	
Voltage gain	40.5dB	43dB
Cooling	Air flow from front to rear	
<b>Dimension / Weight</b>		
Product dimensions (mm)	483 x 445 x 89	483 x 495 x 133
Packaging Dimension(mm)	595x565x170	620x585x210
G.W.	21kg	32.1kg

### Product dimension(mm)



Suitable model:7208



Suitable model:7215

- Remark : 1. \*, The power is tested under EIA standard.  
2. \*\*, The power is tested under the condition of 40ms burst, 1KHz sine wave and 1% THD.  
3. SAE reserves the right to make any changes to the product specifications without prior notice. Final specifications to be found in the user manual.