



The CT series is the most cost-effective toroidal transformer power amplifier of SAE Audio products. CT series is the best choice for the economic application of sound reinforcement. CT series has got the excellent performance and good sound quality with class D power amplifier module and toroidal transformer power supply. The amplifier can automatically identify and switch the voltage (120V /240V) after electrify. It is the most advanced creation of toroidal power amplifier. There is LCD display on the front of CT6000, showing the working states of the amplifier. Variable FRQ and X-over technology make CT8000X / CT12000X has continuous adjustable 50Hz~200Hz low pass filter function (LPF function) and low pass filter frequency point function (BIAMP function), to meet user's need that the amplifier has high and bass voice electronic frequency division function.

Technology

Class D + Toroidal transformer power supply

Class D, which is the most advanced audio power amplification technology in new ere, SAE Audio use it into power modules, realize a perfect initiative combination between ClassD and premium toroidal transformer, providing CT series with outstanding performance and best sound quality.

Variable X-over for Biamp application

Variable FRQ and X-over technology make CT8000X / CT12000X has continuous adjustable 50Hz~200Hz low pass filter function (LPF function) and low pass filter frequency point function (BIAMP function), to meet user's need that the amplifier has high and bass voice electronic frequency division function.

Automatically identify and Switch the voltage

In order to facilitate the use of 120V or 240V countries, CT series can automatically identify and switch the voltage after electrify. the appearance of CT series are more concise and fashion without Manual switch , the performance of CT series are better than other toroidal power amplifiers. It is the most advanced creation of toroidal power amplifier.

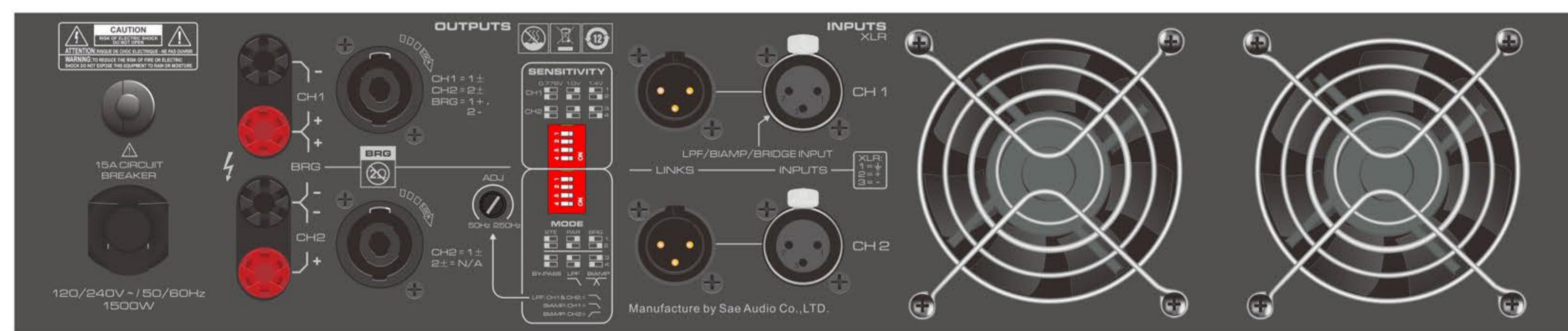


Features

- Premium toroidal transformer power supply.
- Class D power modules.
- XLR input and TRS signal link connectors.
- SpeakON NL4 and binding post output connectors.
- Automatically identify and switch the voltage(120V/240V).
- Routing mode selector on the back panel (stereo / bridge-parallel).
- CT1000/1500/3000/6000 Input sensitivity selector on the back panel (0.775v/1.4v).
- CT8000X/12000X Input sensitivity selector on the back panel (0.775v/1.0v/1.4v).
- The rear panel has LPF/BIAMP function options(CT8000X/12000X).
- Channel independent protection and clip warning indicators on the front panel.
- Channel independent power and signal presence indicators on the front panel.
- LCD display on the front panel.(CT6000)
- Stylish arc front panel design(CT1000/1500/3000/6000).

Applications

- Small to mid sized bar/café/lounge installation.
- Economical sound reinforcement applications.

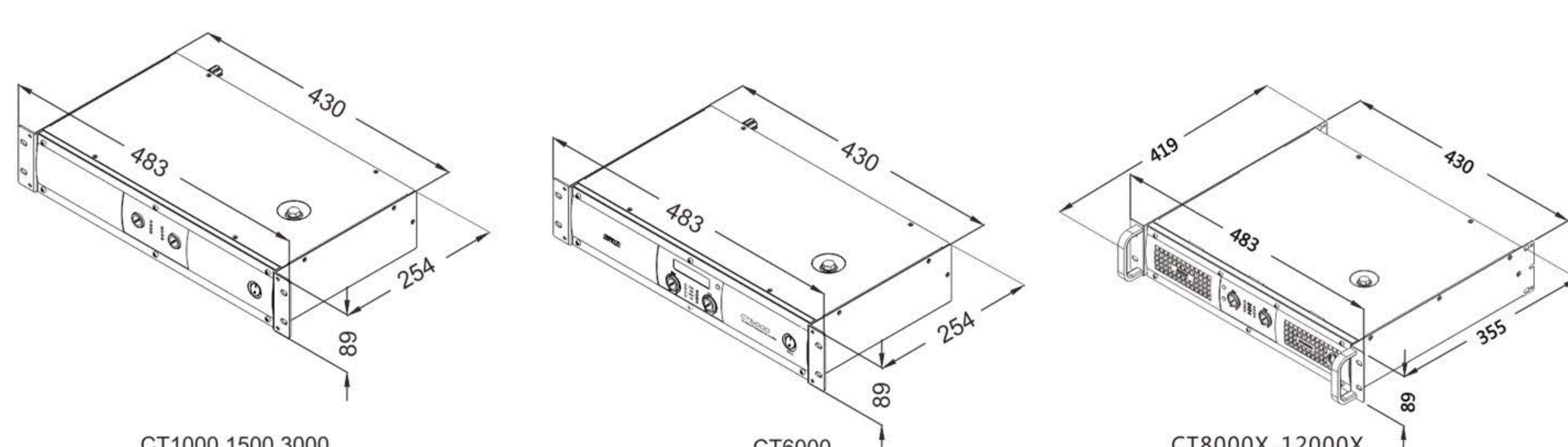


CT12000X rear panel

Specifications

Model	CT1000	CT1500	CT3000	CT6000	CT8000X	CT12000X
Output power (AC 220V / 50Hz. ±10%, All channels driven output power, THD=1%)						
8Ω stereo	100W x2	150W x2	300W x2	600W x2	800W x2	1250W x2
4Ω stereo	150W x2	250W x2	450W x2	900W x2	1350W x2	2000W x2
8Ω bridge	300W	500W	900W	1800W	2600W	4000W
Other specification						
Frequency response	20Hz - 20kHz (+0/-1dB)			20Hz - 20kHz (+0/-1.8dB)	20Hz - 20kHz (+0/-1dB)	
THD+N	≤ 0.1%				< 0.05%	
S/N rate	≥ 80dB				≥ 85dB	
Input sensitivity	0.775v / 1.4v				0.775v / 1.0v / 1.4v	
Input impedance(bal/unbal)	40kΩ / 20kΩ				40kΩ / 20kΩ	
Voltage gain (8 ohm)	30.6dB	32.5dB	36dB	38.7dB	40.5dB	42.5dB
Cooling	Air flow from front to rear					
Protection	Soft start , VHF , short circuit , over load , clip limit , over heat , over voltage10%(CT3000/CT6000) , progressive volume					
	CT6000/CT8000X/CT12000X: When the protection of this product because of short circuit / over load / over voltage , the circuit will be locked, and then must restart to unlock					
Dimension / Weight						
Product dimensions (mm)	483x254x89				483x419x89	
Packaging Dimension(mm)	560x420x170				595x565x170	
G.W.	8.6 kg	9.1 kg	10.3 kg	11.4kg	19.1kg	22.2kg

Product dimension(mm)



Remark : 1. The power is tested under the condition of 40ms burst,1kHz sine wave and 1% THD.
2. SAE reserves the right to make any changes to the product specifications without prior notice. Final specifications to be found in the user manual.