



The CT series is the most cost-effective toroidal transformer power amplifier of SAE Audio products. CT series is the best choice for the economic application of sound reinforcement.

CT series has got the excellent performance and good sound quality with class D power amplifier module and toroidal transformer power supply. 9 inch depth iron chassis with stylish circular arc for the front panel design. There is LCD display on the front of CT6000, showing the working states of the amplifier.

Features

- Premium toroidal transformer power supply.
- Class D power modules.
- XLR input and TRS signal link connectors.
- SpeakON NL4 and binding post output connectors.
- Routing mode selector on the back panel (stereo / bridge / parallel).
- Input sensitivity selector on the back panel (0.775v/1.4v).
- Channel independent protection and clip warning indicators on the front panel.
- Channel independent power and signal presence indicators on the front panel.
- LCD display on the front panel.(CT6000)
- Stylish arc front panel design.

Applications

- Small to mid sized bar/café/lounge installation.
- Economical sound reinforcement applications

Technology

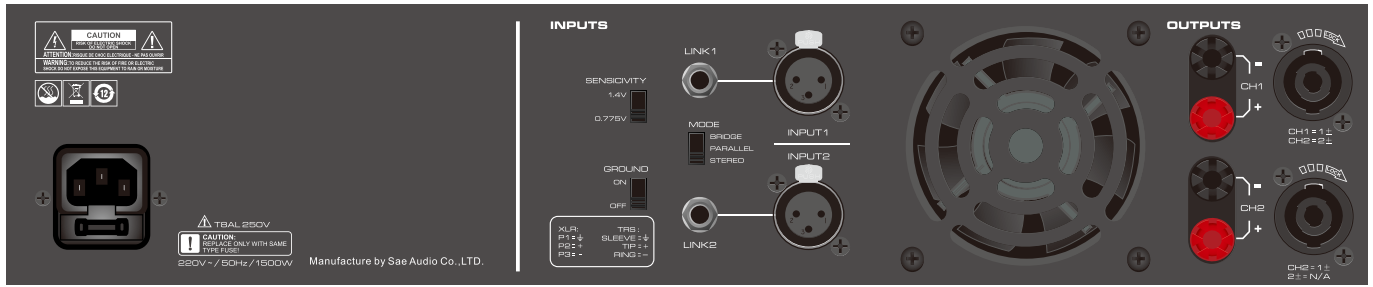
Class D

SAE Audio Class D technology implements the most advanced electronics within the smallest form-factor amplifier modules. The Class D amplifiers by SAE Audio implement the most efficient sound amplification technology available today, providing an unmatched system portability and affordability with the best sonic performance.

LCD Display

The CT series LCD status display provides real-time useful amplifier operation information like routing mode, input gain level, device temperature, or protection alerts.



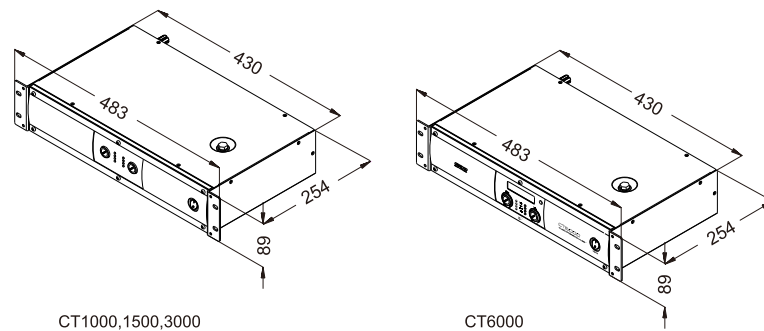


CT6000 rear panel

Specifications

Model	CT1000	CT1500	CT3000	CT6000
Output power (AC 220V / 50Hz. ±10%, All channels driven output power, THD=1%)				
8Ω stereo**	100W x2	150W x2	300W x2	600W x2
4Ω stereo**	150W x2	250W x2	450W x2	900W x2
8Ω bridge**	300W	500W	900W x2	1800W x2
Other specification				
Frequency response	20Hz - 20kHz (+0/-0.5dB)			
THD+N	≤ 0.1%			
S/N rate	≥ 85dB			
Damping factor	≥ 200			
Input sensitivity	0.775v / 1.4v			
Input impedance(bal/unbal)	40kΩ / 20kΩ			
Voltage gain (8 ohm)	31.6dB	33dB	36dB	39.3dB
Cooling	Air flow from front to rear			
Dimension / Weight				
Product dimensions (mm)	483x245x89			
Packaging Dimension(mm)	560x420x170			
G.W.	8.5 kg	9.1 kg	9.8 kg	11.7 kg

Product dimension(mm)



Remark : 1、*, The power is tested under EIA standard.
 2、**, The other power is tested under the condition of 40ms burst, 1kHz sine wave and 1% THD.
 3、SAE reserves the right to make any changes to the product specifications without prior notice. Final specifications to be found in the user manual.